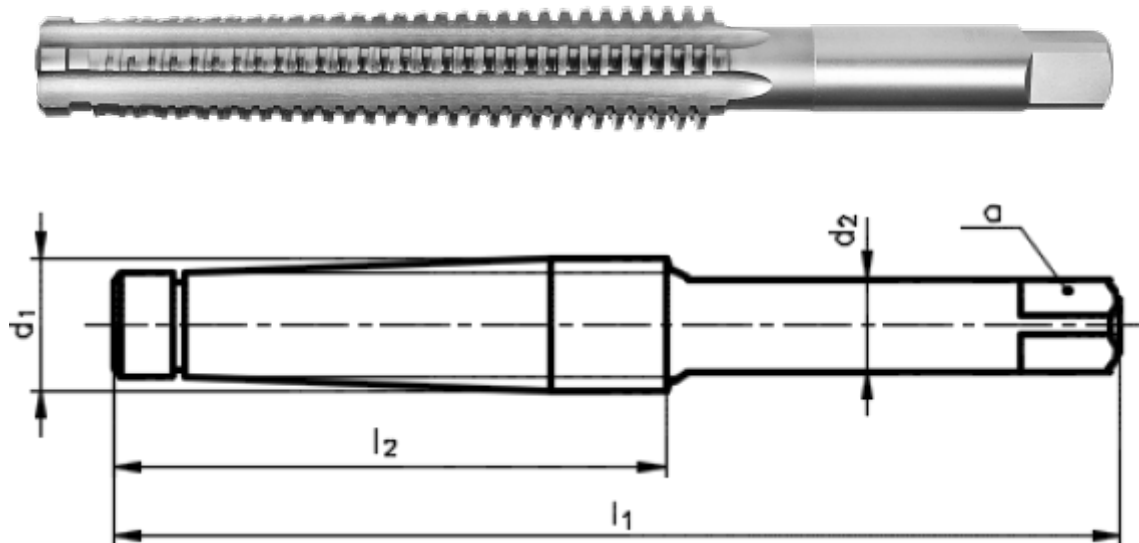


Nut tap

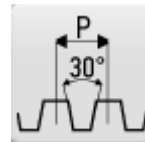


CATALOGUE NUMBER: 5706

Nut tap, trapezoidal thread according DIN 103, suitable for structural steels, plain cast steels and free cutting steels



THREAD TR
ISO Metric trapezoidal coarse thread



PROFILE SKETCH
30°



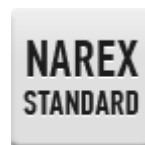
THREAD STANDARD
DIN 103



TYPE N
Tap for steels up to 800 N/mm²



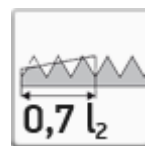
TAP MATERIAL
High speed steel HSS



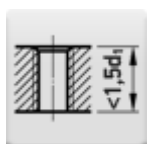
TAP STANDARD
NAREX



THREAD TOLERANCE
ISO - 7H



CHAMFER
Length 0,7 l₂



HOLE TYPE
Through hole (thread length $L < 1,5d_1$)

Select product model

ID	D1	P	Tolerance	l1	l2	d2	a	Price excl. VAT	Price incl. VAT
041526050043100	Tr12	3	7H	140	84	8	6,3		Ask for price
041526050048500	Tr40	6	7H	360	227	31,5	25		Ask for price
041526050059100	Tr22	5	7H	260	163	16	12,5		Ask for price
041526050070700	Tr10	3	7H	140	84	6,3	5		Ask for price
041526050090100	Tr16	4	7H	220	142	11,2	9		Ask for price
041526050094400	Tr28	5	7H	260	163	22,4	18		Ask for price
041526050104500	Tr32	6	7H	310	195	25	20		Ask for price
041526050147600	Tr20	4	7H	220	142	14	11,2		Ask for price
041526050182600	Tr14	3	7H	140	84	10	8		Ask for price
041526050182800	Tr18	4	7H	220	142	12,5	10		Ask for price
041526050288700	Tr25	5	7H	260	163	18	14		Ask for price
041526050288800	Tr45	8	7H	440	275	35,5	28		Ask for price
041526050288900	Tr50	8	7H	440	275	40	31,5		Ask for price
041526050289000	Tr56	8	7H	460	282	45	35,5		Ask for price
041526155752300	Tr36	6	7H	310	195	28	22,4		Ask for price

NAREX Ždánice, spol. s r.o.

Městečko 250
696 32 Ždánice, Česká republika

Tel.: +420 518 607 111
Fax: +420 518 607 153
E-mail: sales@narexzd.cz
Web: www.narexzd.cz