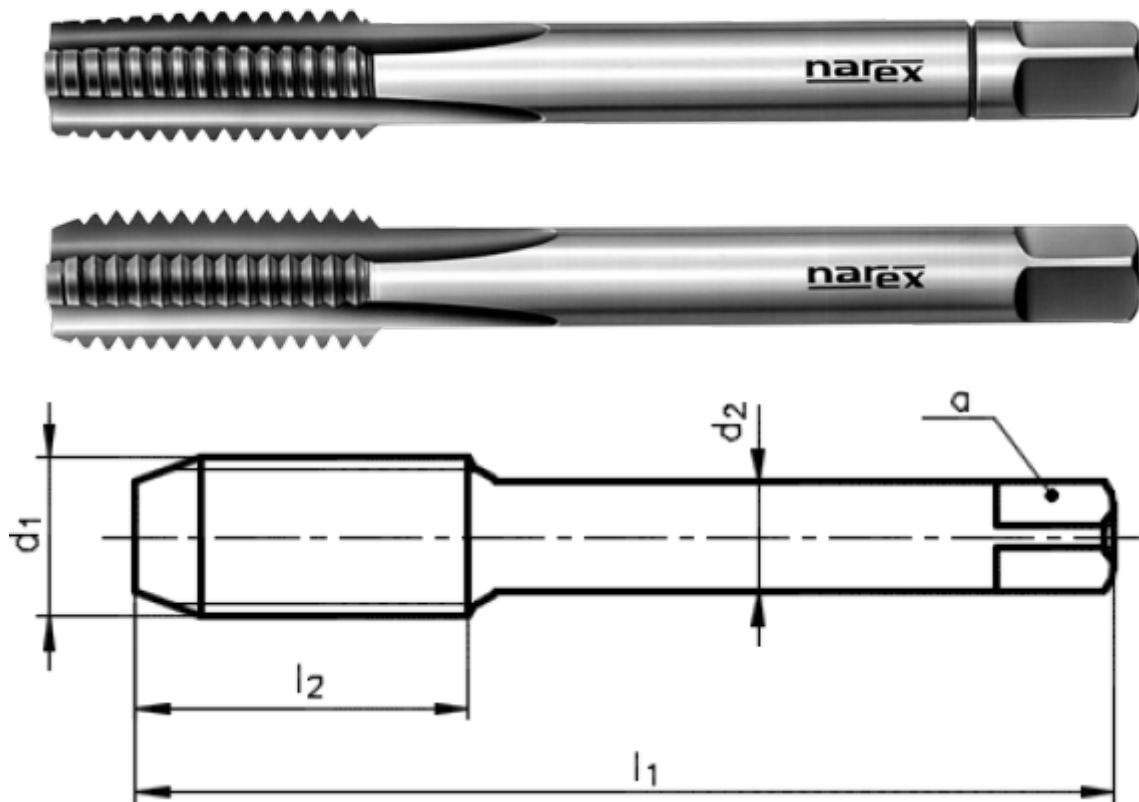


Hand tap

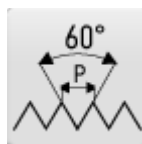


CATALOGUE NUMBER: 0305

Hand tap, unified national fine thread, DIN 2181, suitable for structural steels, plain cast steels, free cutting steels, structural steels and heat-treated steels, grey cast iron, spheroidal and malleable cast iron, aluminium alloys, short chipping copper alloys.



THREAD UNF
Unified fine thread



PROFILE SKETCH
60°



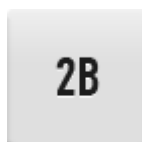
TYPE N
Tap for steels up to 800 N/mm²



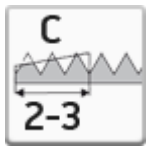
TAP MATERIAL
High speed steel HSS



TAP STANDARD
~ DIN 2181



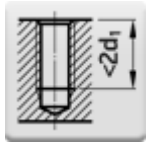
THREAD TOLERANCE
2B



CHAMFER C
Length 2-3 pitch



HOLE TYPE
Through hole (thread length $L > 1,5 \times d1$)



HOLE TYPE
Blind hole (thread length $< 2 \times d1$)

Select product model

| ID | D1 | P | Tolerance | l1 | l2 | d2 | a | Price excl. VAT | Price incl. VAT |
|-----------------|---------|----|-----------|----|----|-----|-----|-----------------|-----------------|
| 041530055102100 | UNF5 | 44 | 2B | 40 | 10 | 3,5 | 2,7 | 8.50 EUR | 10.29 EUR |
| 041530055102300 | UNF5 | 44 | 2B | 40 | 10 | 3,5 | 2,7 | 8.50 EUR | 10.29 EUR |
| 041530055102800 | UNF5 | 44 | 2B | 40 | 10 | 3,5 | 2,7 | 17.00 EUR | 20.57 EUR |
| 041530055103100 | UNF6 | 40 | 2B | 45 | 11 | 4 | 3 | 8.50 EUR | 10.29 EUR |
| 041530055103300 | UNF6 | 40 | 2B | 45 | 11 | 4 | 3 | 8.50 EUR | 10.29 EUR |
| 041530055103800 | UNF6 | 40 | 2B | 45 | 11 | 4 | 3 | 17.00 EUR | 20.57 EUR |
| 041530055104100 | UNF8 | 36 | 2B | 45 | 12 | 4,5 | 3,4 | 8.20 EUR | 9.92 EUR |
| 041530055104300 | UNF8 | 36 | 2B | 45 | 12 | 4,5 | 3,4 | 8.20 EUR | 9.92 EUR |
| 041530055104800 | UNF8 | 36 | 2B | 45 | 12 | 4,5 | 3,4 | 16.40 EUR | 19.84 EUR |
| 041530055105100 | UNF10 | 32 | 2B | 50 | 14 | 6 | 4,9 | 8.50 EUR | 10.29 EUR |
| 041530055105300 | UNF10 | 32 | 2B | 50 | 14 | 6 | 4,9 | 8.50 EUR | 10.29 EUR |
| 041530055105800 | UNF10 | 32 | 2B | 50 | 14 | 6 | 4,9 | 17.00 EUR | 20.57 EUR |
| 041530055106100 | UNF12 | 28 | 2B | 56 | 16 | 6 | 4,9 | 9.05 EUR | 10.95 EUR |
| 041530055106300 | UNF12 | 28 | 2B | 56 | 16 | 6 | 4,9 | 9.05 EUR | 10.95 EUR |
| 041530055106800 | UNF12 | 28 | 2B | 56 | 16 | 6 | 4,9 | 18.10 EUR | 21.90 EUR |
| 041530055107100 | UNF1/4 | 28 | 2B | 56 | 16 | 6 | 4,9 | 9.05 EUR | 10.95 EUR |
| 041530055107300 | UNF1/4 | 28 | 2B | 56 | 16 | 6 | 4,9 | 9.05 EUR | 10.95 EUR |
| 041530055107800 | UNF1/4 | 28 | 2B | 56 | 16 | 6 | 4,9 | 18.10 EUR | 21.90 EUR |
| 041530055109100 | UNF5/16 | 24 | 2B | 63 | 18 | 6 | 4,9 | 9.90 EUR | 11.98 EUR |
| 041530055109300 | UNF5/16 | 24 | 2B | 63 | 18 | 6 | 4,9 | 9.90 EUR | 11.98 EUR |
| 041530055109800 | UNF5/16 | 24 | 2B | 63 | 18 | 6 | 4,9 | 19.80 EUR | 23.96 EUR |

| ID | D1 | P | Tolerance | l1 | l2 | d2 | a | Price excl. VAT | Price incl. VAT |
|-----------------|---------|----|-----------|----|----|----|------|-----------------|-----------------|
| 041530055111100 | UNF3/8 | 24 | 2B | 63 | 18 | 7 | 5,5 | 10.80 EUR | 13.07 EUR |
| 041530055111300 | UNF3/8 | 24 | 2B | 63 | 18 | 7 | 5,5 | 10.80 EUR | 13.07 EUR |
| 041530055111800 | UNF3/8 | 24 | 2B | 63 | 18 | 7 | 5,5 | 21.60 EUR | 26.14 EUR |
| 041530055112100 | UNF7/16 | 20 | 2B | 70 | 20 | 8 | 6,2 | 13.65 EUR | 16.52 EUR |
| 041530055112300 | UNF7/16 | 20 | 2B | 70 | 20 | 8 | 6,2 | 13.65 EUR | 16.52 EUR |
| 041530055112800 | UNF7/16 | 20 | 2B | 70 | 20 | 8 | 6,2 | 27.30 EUR | 33.03 EUR |
| 041530055113100 | UNF1/2 | 20 | 2B | 70 | 20 | 9 | 7 | 14.65 EUR | 17.73 EUR |
| 041530055113300 | UNF1/2 | 20 | 2B | 70 | 20 | 9 | 7 | 14.65 EUR | 17.73 EUR |
| 041530055113800 | UNF1/2 | 20 | 2B | 70 | 20 | 9 | 7 | 29.30 EUR | 35.45 EUR |
| 041530055114100 | UNF9/16 | 18 | 2B | 70 | 20 | 11 | 9 | 21.40 EUR | 25.89 EUR |
| 041530055114300 | UNF9/16 | 18 | 2B | 70 | 20 | 11 | 9 | 21.40 EUR | 25.89 EUR |
| 041530055114800 | UNF9/16 | 18 | 2B | 70 | 20 | 11 | 9 | 42.80 EUR | 51.79 EUR |
| 041530055115100 | UNF5/8 | 18 | 2B | 70 | 20 | 12 | 9 | 19.80 EUR | 23.96 EUR |
| 041530055115300 | UNF5/8 | 18 | 2B | 70 | 20 | 12 | 9 | 19.80 EUR | 23.96 EUR |
| 041530055115800 | UNF5/8 | 18 | 2B | 70 | 20 | 12 | 9 | 39.60 EUR | 47.92 EUR |
| 041530055117100 | UNF3/4 | 16 | 2B | 80 | 22 | 14 | 9 | 28.00 EUR | 33.88 EUR |
| 041530055117300 | UNF3/4 | 16 | 2B | 80 | 22 | 14 | 9 | 28.00 EUR | 33.88 EUR |
| 041530055117800 | UNF3/4 | 16 | 2B | 80 | 22 | 14 | 9 | 56.00 EUR | 67.76 EUR |
| 041530055119100 | UNF7/8 | 14 | 2B | 80 | 22 | 18 | 14,5 | 31.95 EUR | 38.66 EUR |
| 041530055119300 | UNF7/8 | 14 | 2B | 80 | 22 | 18 | 14,5 | 31.95 EUR | 38.66 EUR |
| 041530055119800 | UNF7/8 | 14 | 2B | 80 | 22 | 18 | 14,5 | 63.90 EUR | 77.32 EUR |
| 041530055121100 | UNF1 | 12 | 2B | 80 | 22 | 18 | 14,5 | 44.90 EUR | 54.33 EUR |
| 041530055121300 | UNF1 | 12 | 2B | 80 | 22 | 18 | 14,5 | 44.90 EUR | 54.33 EUR |
| 041530055121800 | UNF1 | 12 | 2B | 80 | 22 | 18 | 14,5 | 89.80 EUR | 108.66 EUR |

Use

| MACHINED MATERIAL | HOLE TYPE | CUTTING SPEED | LUBRICATION | USE |
|---|---|----------------------|----------------------|-----------------|
| Aluminium alloys si content < 10% | through hole (thread length L > 1,5xd1) | 3-5 | Cutting Oil/Emulsion | Recommended use |
| Aluminium alloys si content < 10% | blind hole (thread length L < 2xd1) | 3-5 | Cutting Oil/Emulsion | Recommended use |
| Aluminium alloys si content > 10% | through hole (thread length L > 1,5xd1) | 3-5 | Cutting Oil/Emulsion | Possible use |
| Aluminium alloys si content > 10% | blind hole (thread length L < 2xd1) | 3-5 | Cutting Oil/Emulsion | Possible use |
| Copper alloys (short chipping) | blind hole (thread length L < 2xd1) | 3-5 | Cutting Oil/Emulsion | Recommended use |
| Copper alloys (short chipping) | through hole (thread length L > 1,5xd1) | 3-5 | Cutting Oil/Emulsion | Recommended use |
| Free cutting steels up to 800 N/mm2 | blind hole (thread length L < 2xd1) | 3-5 | Cutting Oil/Emulsion | Recommended use |
| Free cutting steels up to 800 N/mm2 | through hole (thread length L > 1,5xd1) | 3-5 | Cutting Oil/Emulsion | Recommended use |
| Grey cast iron | blind hole (thread length L < 2xd1) | 3-5 | Cutting Oil/Emulsion | Recommended use |
| Grey cast iron | through hole (thread length L > 1,5xd1) | 3-5 | Cutting Oil/Emulsion | Recommended use |
| Plain cast steels up to 500 N/mm2 | blind hole (thread length L < 2xd1) | 3-5 | Cutting Oil/Emulsion | Recommended use |
| Plain cast steels up to 500 N/mm2 | through hole (thread length L > 1,5xd1) | 3-5 | Cutting Oil/Emulsion | Recommended use |
| Plain cast steels up to 800 N/mm2 | through hole (thread length L > 1,5xd1) | 3-5 | Cutting Oil/Emulsion | Recommended use |
| Plain cast steels up to 800 N/mm2 | blind hole (thread length L < 2xd1) | 3-5 | Cutting Oil/Emulsion | Recommended use |
| Spheroidal graphite cast iron and malleable cast iron | blind hole (thread length L < 2xd1) | 3-5 | Cutting Oil/Emulsion | Recommended use |
| Spheroidal graphite cast iron and malleable cast iron | through hole (thread length L > 1,5xd1) | 3-5 | Cutting Oil/Emulsion | Recommended use |
| Structural steels and heat-treated steels up to 800 N/mm2 | through hole (thread length L > 1,5xd1) | 3-5 | Cutting Oil/Emulsion | Recommended use |
| Structural steels and heat-treated steels up to 800 N/mm2 | blind hole (thread length L < 2xd1) | 3-5 | Cutting Oil/Emulsion | Recommended use |
| Structural steels up to 500 N/mm2 | through hole (thread length L > 1,5xd1) | 3-5 | Cutting Oil/Emulsion | Recommended use |
| Structural steels up to 500 N/mm2 | blind hole (thread length L < 2xd1) | 3-5 | Cutting Oil/Emulsion | Recommended use |

NAREX Ždánice, spol. s r.o.

Městečko 250
696 32 Ždánice, Česká republika

Tel.: +420 518 607 111
Fax: +420 518 607 153
E-mail: sales@narexzd.cz
Web: www.narexzd.cz